

Illustration - Type - E

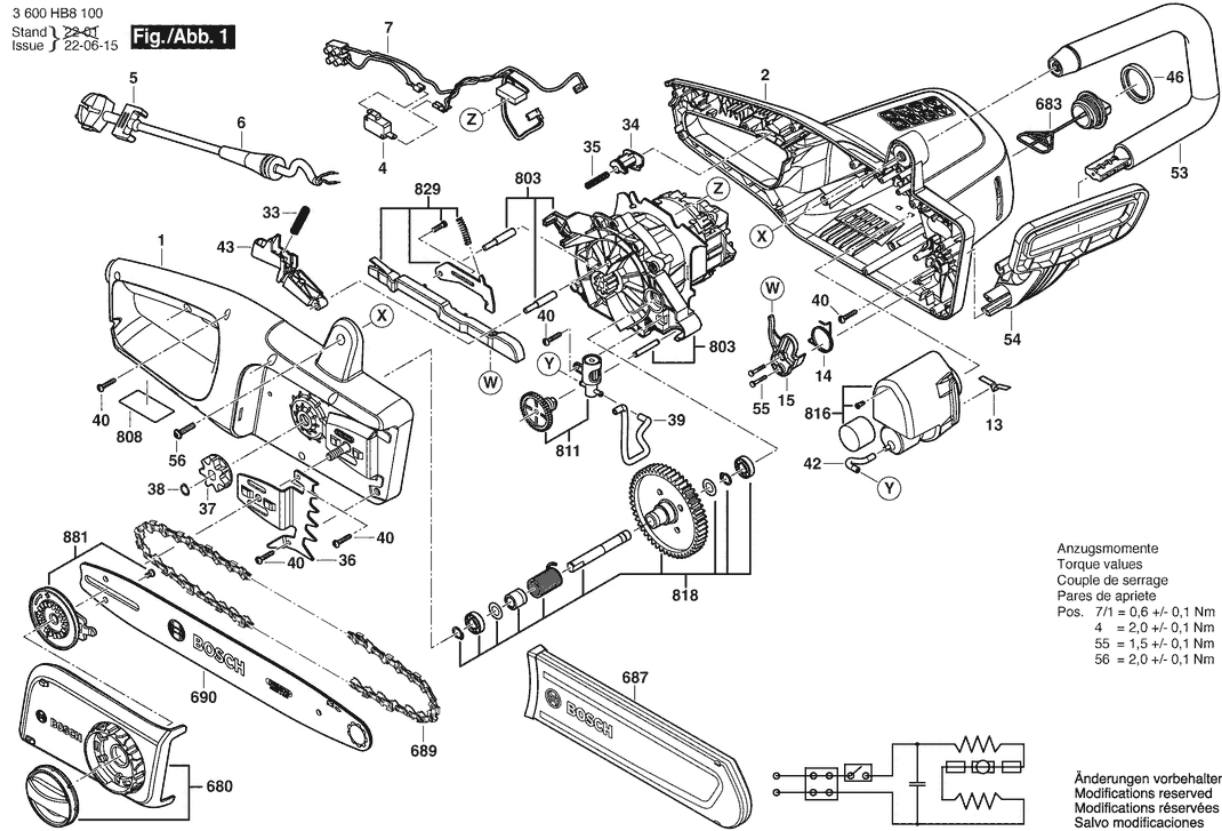
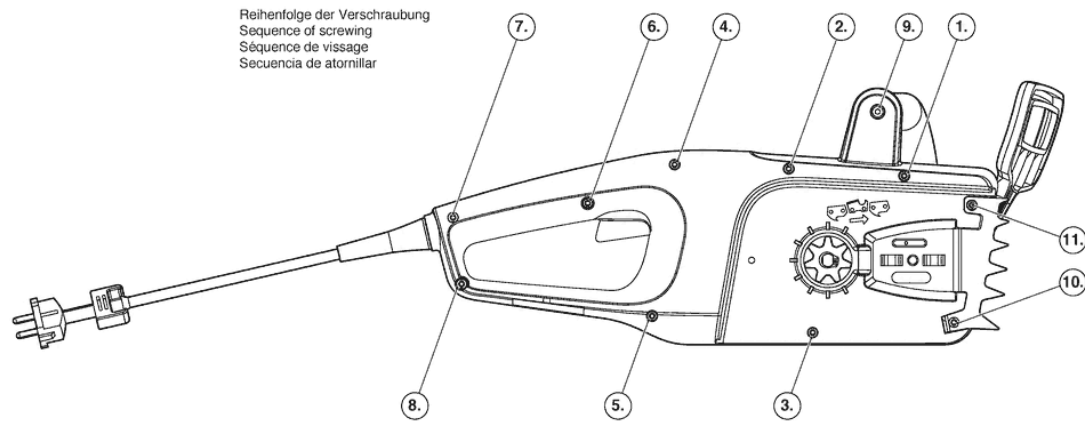


Illustration - Type - E

3 600 HB8 100
Stand } 19-11-08
Issue } **Fig./Abb. 2**



Änderungen vorbehalten
Modifications reserved
Modifications réservées
Salvo modificaciones

Spare parts list

Item	Part Number	Description	Illustration	
1	1 605 806 69U	Housing	1	
2	1 605 108 2HW	Motor Housing	1	
4	1 607 200 35H	Switch	1	
5	2 604 460 183	Power supply cord RN-F	EU 0,4M 2 X 1,0MM H07	1
6	2 609 005 766	Grommet	1	
7	2 609 004 394	Suppression Filter	1	
13	2 609 001 047	Spring	1	
14	2 609 006 397	Torsion Spring	1	
15	1 600 A01 5GN	Lever	1	
33	2 609 001 048	Compression Spring	1	
34	1 600 A01 5D0	Safety Switch	1	
35	1 604 612 02U	Compression Spring	1	
36	1 600 A01 5D1	Mounting Plate	1	
37	1 600 A01 5D2	Sprocket wheel	1	
38	2 916 650 001	Spring retaining ring	DIN 471-10X1MM-FST	1
39	2 609 001 086	Pipe	1	
40	2 603 490 023	Torx Oval-Head Screw	4X20	1
42	1 600 A01 5DE	Pipe	1	
43	1 600 A01 5DS	Switch Segment	1	
46	1 600 A01 5DJ	Sealing	1	
53	1 605 132 17Y	Handle	1	
54	1 600 A01 5CX	Protective Shield	1	
55	1 600 A01 N9H	Oval-Head Screw	1	
56	2 609 110 080	Torx Oval-Head Screw	1	
680	1 600 A02 8X6	Adjustment Knob	1	
683	1 600 A02 7C7	RSV Cap	1	
687	1 600 A01 B1L	Chain Guard	1	
689	2 609 007 365	Saw Chain	AKE 40	1
690	1 600 A01 5H7	Guide Rail	400 MM	1
803	1 607 000 DW1	Motor	1	
808	1 601 11A 74R	Nameplate	1	
811	1 607 000 DW5	Pump	1	
816	1 607 000 DW4	Container	1	
818	1 607 000 DW2	Drive Clutch	1	

Spare parts list

Item	Part Number	Description	Illustration
829	1 607 000 DW3	Linkage	1
881	1 607 000 F4C	null	1